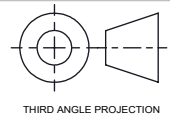


DO NOT SCALE PRINT		UNLESS OTHERWISE SPECIFIED:		HYDROBLIND SOLUTIONS SURFACE FINISH: MACHINE OR MILL
 THIRD ANGLE PROJECTION		OUTSIDE DIAMETER: (+/-0.12) INSIDE DIAMETER: (+/-0.12) THICKNESS TOLERANCES (-ZERO +0.12) ALL UNITS IN INCHES OR POUNDS		
MATERIAL: CUSTOMER REQUESTED		SHEET 1 OF 1		DRAWING TITLE: 2-1/2 CL 1500 PADDLE BLIND T HANDLE
DATE: 06/08/2020		DIMENSIONS & TOLERANCES TO BE IN ACCORDANCE WITH ASME B16.48	WEIGHT 7 lb	
SCALE 1:1	SIZE C	DRAWING NUMBER: FPBL	REV 00	